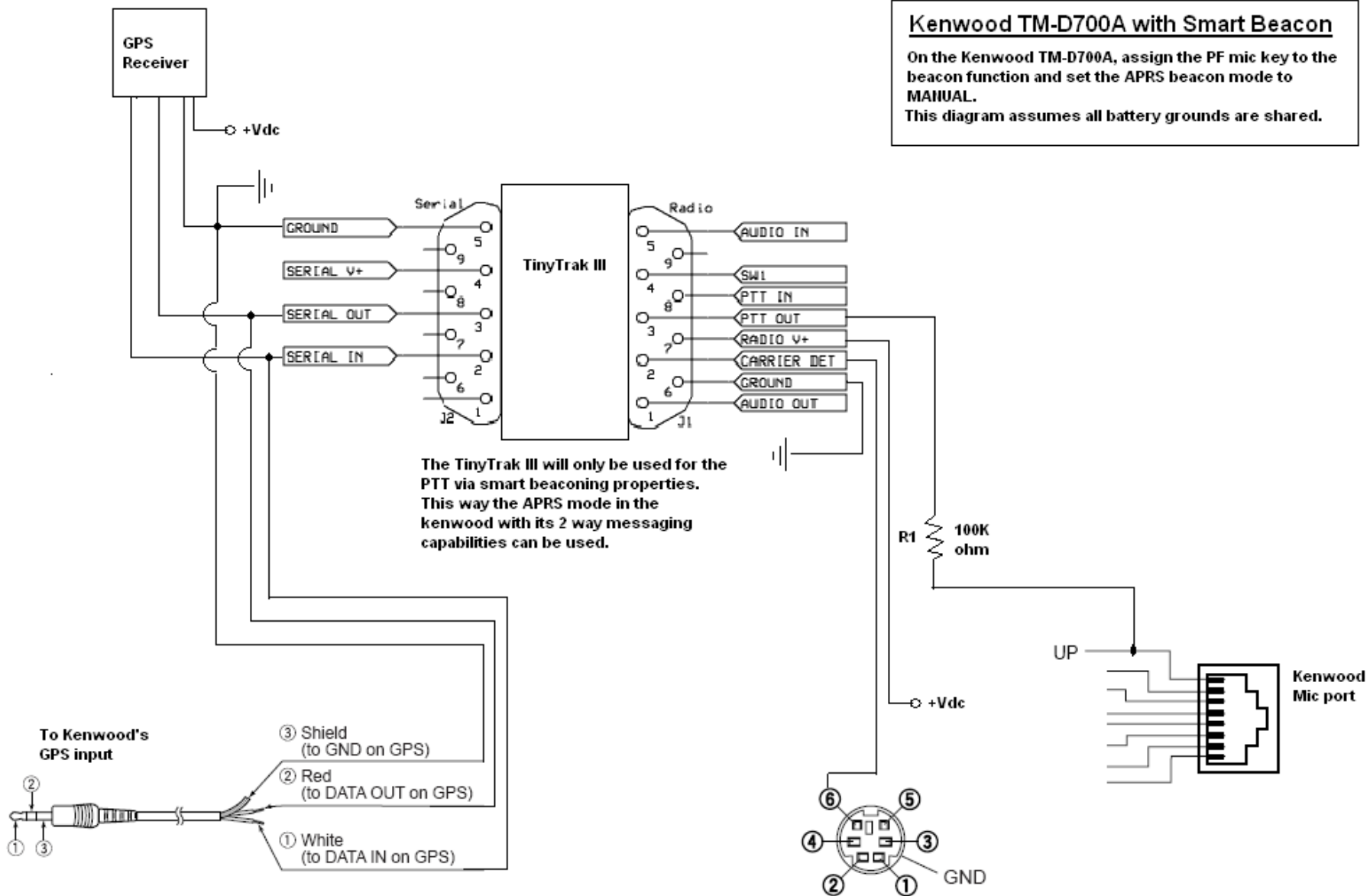
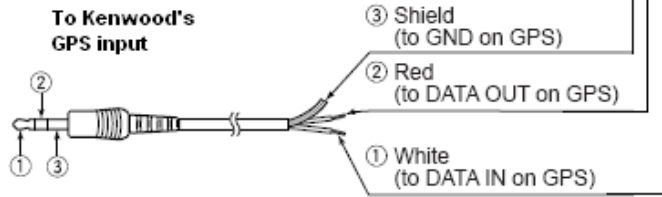


Kenwood TM-D700A with Smart Beacon
 On the Kenwood TM-D700A, assign the PF mic key to the beacon function and set the APRS beacon mode to **MANUAL**.
 This diagram assumes all battery grounds are shared.



The TinyTrak III will only be used for the PTT via smart beaconing properties. This way the APRS mode in the kenwood with its 2 way messaging capabilities can be used.



pin 6 on the kenwoods data port is for the squelch control output